



**Simply Engineered Better**

# DF

Rotary Type Fully Automatic Glasswashing Machine

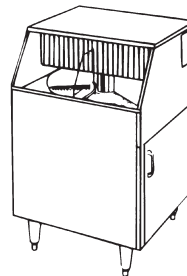


Project \_\_\_\_\_  
 Item No. \_\_\_\_\_  
 Quantity \_\_\_\_\_

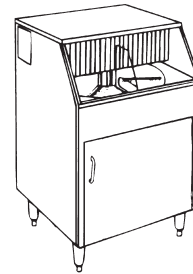
**MODEL DF GLASSWASHER**

## STANDARD FEATURES

- New three-pump injection system:
  - Injector system allows the use of separate sanitizer and rinse aid resulting in real savings.
  - Precisely calibrated pumps inject just the right amount of chemical each time – no guesswork – no waste.
- Upper and lower wash and rinse arms produce sparkling clean glasses every time.
- Double walled construction for quieter operation.
- Cool final rinse water provides a cool glass ready for immediate use.
- Splash shields for splashover protection.
- An off-the-floor shelf provides storage for three, 1-gallon containers.
- Polypropylene conveyor virtually eliminates chipping of fine stemware.



Access Door on Left DF-2



Access Door on Right DF-1

## SPECIFIER STATEMENT

Specified unit will be Moyer Diebel model DF Rotary Type, fully automatic glasswasher.

Unit will have detergent pump, sanitizer pump and rinse aid pump, standard upper and lower wash/rinse arms, wash tank heater, cold water final rinse, polypropylene conveyor, splash curtains, double-walled construction, storage space for three 1-gallon containers.



## OPTIONS & ACCESSORIES

- |  |             |
|--|-------------|
| <input type="checkbox"/> Drain tray and waste collector (DF-70A)     | P/N 0707544 |
| <input type="checkbox"/> Quick disconnect package (incl. casters)    | P/N 0707258 |
| <input type="checkbox"/> Casters; set of four – 2 locking, 2 regular | P/N 0701962 |
| <input type="checkbox"/> Hand sink and wet waste receiver (SW46)     | P/N 0708453 |
| <input type="checkbox"/> Wash down hose                              | P/N 0701956 |

MD005 Printed in U.S.A.

### Moyer Diebel - USA

P.O. Box 4183, Winston-Salem, NC 27115 Tel: 336/661-1992 Fax: 336/661-1979 800/228-8350 www.moyerdiebel.com

### Moyer Diebel Ltd. - Canada

2674 North Service Rd., Jordan Station, Ontario, Canada L0R 1S0 Tel: 905/562-4195 800/263-5798  
 Fax: 905/562-4618 sales@moyerdiebellimited.com



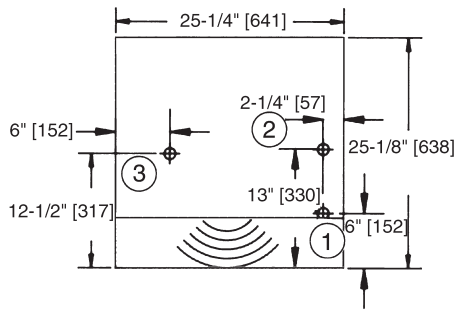


Simply Engineered Better

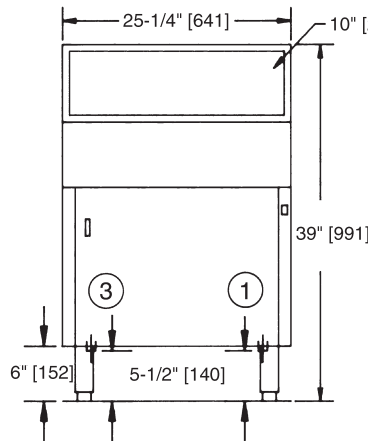
**DF**

Rotary Type Fully Automatic  
Glasswashing Machine

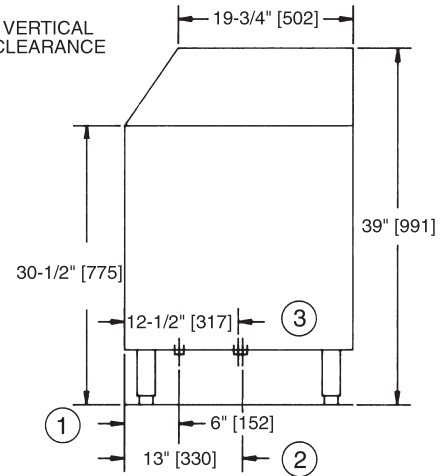
Dimensions shown in inches and [millimeters]



**Plan View**



**Front View**



**Side View**

Utilities	
*Electrical 208 - 230/60/1, 15 amp	
<b>1</b>	<b>Hot water connection</b> 1/2" [13] IPS. Flow pressure 25-95 psi [172.5-656 kPa]
<b>2</b>	<b>Cold water connection</b> 1/2" [13] IPS. Flow pressure 25-95 psi [172.5-656 kPa]
<b>3</b>	<b>Drain connection</b> 1-1/2" [38] tailpiece Connect to drain size according to local plumbing code.

	Uncrated	Crated
<b>Height</b>	39" [991]	46-1/2" [1181]
<b>Width</b>	25-1/4" [640]	27" [685]
<b>Depth</b>	25-1/8" [638]	27-1/2" [698]
<b>Ship Wt. lbs/kg</b>	156/71	176/80
* Adjustable foot height - 11/4" [45]		

\*NOTE: DF Models supplied with 6 ft. [1829] plug in cord.

**Warning:** Plumbing and electrical connections should be made by qualified personnel who will observe all the applicable plumbing, sanitary and safety codes.

**SPECIFICATIONS**

**Capacity (hr.)**  
2-1/2" [64] glasses 1000

**Water Consumption**  
Cold water (approx.) 2.8 US gpm;  
10.6 liters/min;  
2.24 imp gpm  
Hot water (initial fill) 3 US gallons;  
11.35 liters;  
2.4 imp gallons  
(Max use – approx. 10 US gph – 8.3 imp gph)

**Temperatures °F/C**  
Inlet water (hot) 140-160/61-69  
Inlet water (cold) 75/24

**Heating**  
Tank heat, electric (kW) 3

**Conveyor Movement**  
DF (access door front) Clockwise  
DF-1 (access door right) Clockwise  
DF-2 (access door left) Counter-Clockwise