

MD-1000

Door-type
Low Temperature
Dishwashing Machine

STANDARD FEATURES

- Straight-through or corner application – simple conversion in a matter of minutes
- Parts compatibility with other machines
- Superior wash results – unique sump design and the vertical mount, self-draining pump provides quick wash water flow and an ample 55-second wash time that produces sparkling clean wares.
- Direct replacement – the MD-1000 is a direct replacement for most competitor's models without table modification.
- Delime switch and cycle counter located inside top mounted controls
- 3 chemical dispensing pumps
- Machine fully assembled, ready to install
- 1 Hp TEFC pump motor, vertically mounted, self-draining
- Door safety switch
- Interchangeable upper and lower spray arms
- Airgap design feature eliminates vacuum breaker
- Common utility connection



SPECIFIER STATEMENT

Specified unit will be Moyer Diebel model MD-1000 low temperature door-type dishwashing machine.

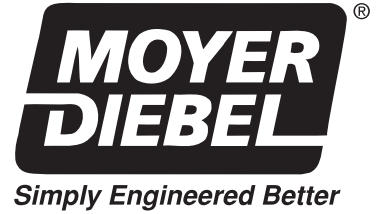
Constructed of Type 304 stainless steel. Features 1 Hp TEFC pump motor, top mounted controls, balanced door lift system, common utility connections and interchangeable upper and lower spray arms.

KEG TAPPERS

www.kegtappers.com

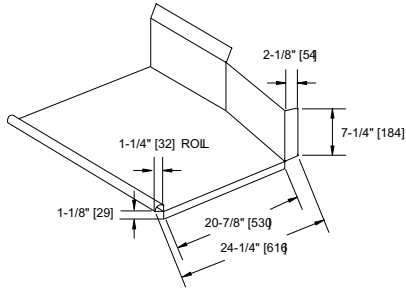
MD-1000

Door-type
Low Temperature
Dishwashing Machine

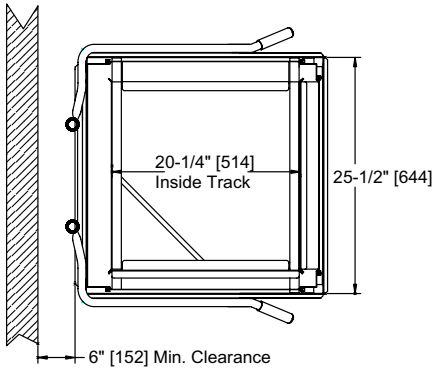


Volume crated: **42 cu. ft./1.2 cu.m.**
Shipping weight crated: **216 lbs./98kg**
Distance between tables: **25-3/8"/645mm**

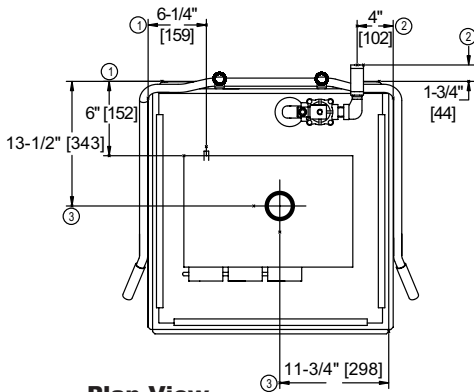
Dimensions shown in inches and [millimeters]



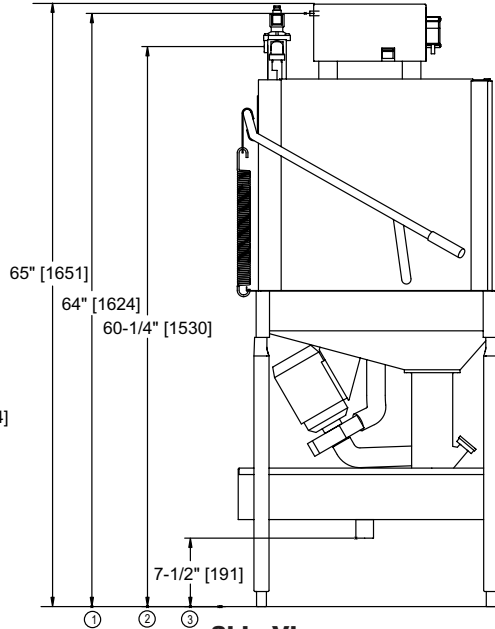
Typical Table Construction



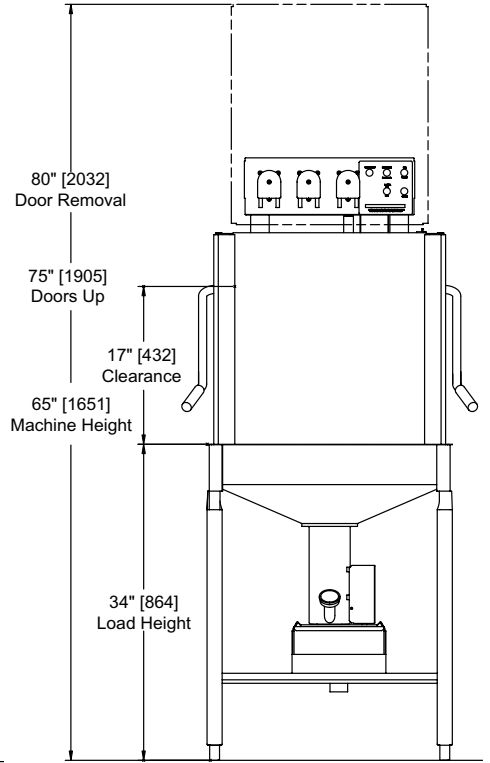
Straight-through



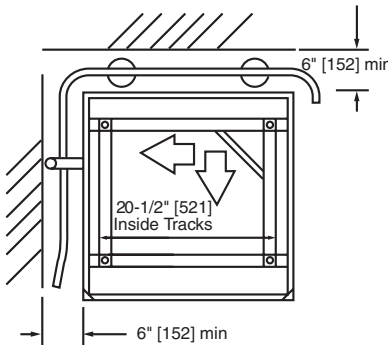
Plan View



Side View



Front View



Corner Configuration

SPECIFICATIONS

Capacities	
Racks per hr.	37
Motor horsepower	
Wash	1 Hp
Water consumption	
U.S. Gal. per rack (imp. gal./liters)	1.7 (1.4/6.4)
Temperatures °F/°C	
Wash	140/60
Rinse	140/60
Time Cycle in Seconds	
Wash	55
Drain/Fill/Dwell	12
Rinse	23
Total cycle	90

Utilities

1 Electrical	115/60/1, 12.0 Machine Load Amps
2 Hot Water	3/4" [19] NPT 140°F/60°C hot water connection
3 Drain	1-7/8" [48] connection.

Warning: Plumbing and electrical connection should be made by qualified personnel who will observe all the applicable plumbing, sanitary and safety codes and the National Electrical Code.

Note: Water Hammer Arrestor (meeting ASSE-1010 standard or equivalent) to be supplied (by others) in common water supply line at service connection.